



SERIES : PG - 300

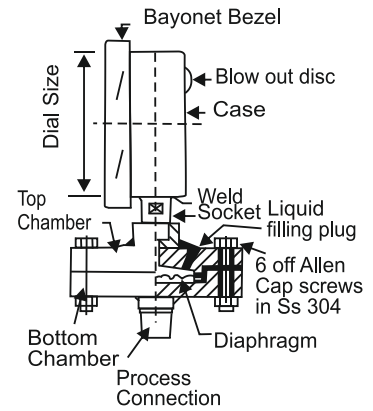
FITZER Diaphragm Sealed Pressure gauges are recommended where fluid is highly corrosive, contaminated, viscous or liable to crystallize inside measuring system. The gauge mounted above the diaphragm sealed and filled with suitable oil that transmits the pressure acting on the diaphragm to bourdon tube. Diaphragm is welded to the upper parts of sealed unit and therefore it is possible to separate the upper and lower parts to clean the diaphragm without removing the gauge.

SPECIFICATIONS :

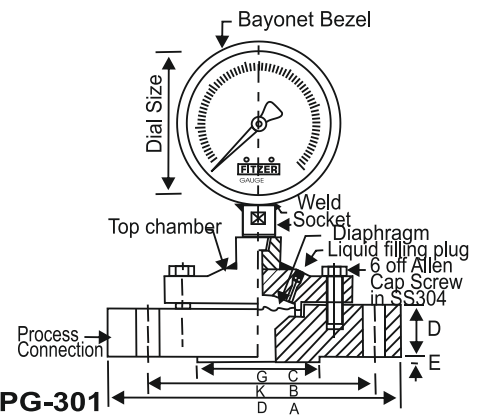
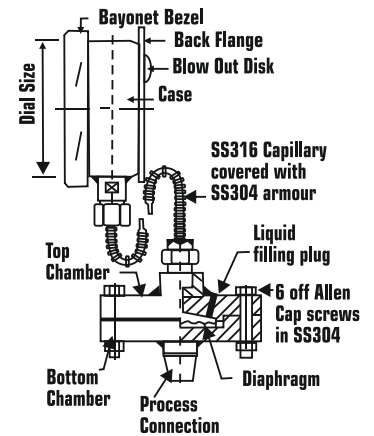
| | |
|--------------|--|
| Dial Size | 65,100,150 mm |
| Case & Bezel | SS 304, Crimp type / Snap Action Bayoned Type. |
| Window | Acrylic glass / Toughened Safety Glass |
| Bourdon | SS 316, Brass, Phosphor bronze |
| | Bourdon tube are heat treated & stress relieved . |
| Socket | SS 304, SS316, Brass |
| Movement | SS 304, Brass |
| Connection | 1/4", 3/8", 1/2" BSP / NPT (M) |
| Pointer | Micro zero / Zero Adjustment Pointer |
| Joists | SS Argon Arc welded, phosphor Bronze, Brass Silver Brazed / Soldered |

END SEALED UNIT :

| | |
|----------------|---|
| UPPER CHAMBER | Mild Steel Painted in black, SS 304, SS 316 |
| DIAPHRAGM | SS 316, Monel Hastelloy-C, Tantalum, Telfon Coated or any special material can be provided |
| Sealing Liquid | Silicon Oil or suitable liquid as desired by the user DC-704, 710 FS 1265, Halocarbon |
| Connection | 1/2" BSP / NPT (M) Threaded, Flange type or flexible SS Capillary can be provided. |
| Temp- Limit | 45° C to 25° C (for high temperature go for cooling Tower assembly impulse tubin or capillary extension |
| Accuracy | ± 1% of F.S.D. |



Serials PG-300



Serials PG-301

| Process connection | A DIA | B PCD | C RF | D THICK | E |
|--------------------|-------|-------|------|---------|-----|
| 1" 150 RF | 107.9 | 79.4 | 50.8 | 27.0 | 1.6 |
| 1" 300 RF | 123.8 | 88.9 | 50.8 | 30.0 | 1.6 |
| 1" 600 RF | 123.8 | 88.9 | 50.8 | 30.0 | 6.3 |
| 1" 1/2" 150 RF | 127.0 | 98.4 | 73.0 | 20.0 | 1.6 |
| 1" 1/2" 300 RF | 155.6 | 144.3 | 73.0 | 25.0 | 1.6 |
| 1" 1/2" 600 RF | 155.6 | 144.3 | 73.0 | 25.0 | 6.3 |
| 2" 150 RF | 152.4 | 120.6 | 92.1 | 19.1 | 1.6 |
| 1" 300 RF | 165.1 | 127.0 | 92.1 | 22.2 | 1.6 |
| 1" 600 RF | 165.1 | 127.0 | 92.1 | 25.4 | 6.3 |